

## Octal high-side smart power solid-state relay with serial/parallel selectable interface on-chip

Datasheet - production data



- Adjustable regulator output
- Switching regulator disable
- 5 V and 3.3 V compatible I/Os
- Channel outputs status LED driving 4 x 2 multiplexed array
- Fast demagnetization of inductive loads
- ESD protection
- Designed to meet IEC 61131-2, IEC61000-4-4, and IEC61000-4-5

### Features

Type	V <sub>demag</sub> <sup>(1)</sup>	R <sub>DS(on)</sub> <sup>(1)</sup>	I <sub>out</sub> <sup>(1)</sup>	V <sub>CC</sub>
VNI8200XP	V <sub>CC</sub> -45 V	0.11 Ω	0.7 A	45 V

1. Per channel

- Output current: 0.7 A per channel
- Serial/parallel selectable interface
- Short-circuit protection
- 8-bit and 16-bit SPI Interface for IC command and control diagnostic
- Channel overtemperature detection and protection
- Thermal independence of separate channels
- Drives all type of loads (resistive, capacitive, inductive load)
- Loss of GND protection
- Power Good diagnostic
- Undervoltage shutdown with hysteresis
- Overvoltage protection (V<sub>CC</sub> clamping)
- Very low supply current
- Common fault open drain output
- IC warning temperature detection
- Channel output enable
- 100 mA high efficiency step-down switching regulator with integrated boot diode

### Applications

- Programmable logic control
- Industrial PC peripheral input/output
- Numerical control machines

**Table 1. Device summary**

Order code	Package	Packing
VNI8200XP	PowerSSO-36	Tube
VNI8200XPTR		Tape and reel

# Contents

<b>1</b>	<b>Description</b> .....	<b>6</b>
<b>2</b>	<b>Block diagram</b> .....	<b>7</b>
<b>3</b>	<b>Pin connection</b> .....	<b>8</b>
<b>4</b>	<b>Maximum ratings</b> .....	<b>10</b>
4.1	Thermal data .....	11
<b>5</b>	<b>Electrical characteristics</b> .....	<b>11</b>
5.1	Power section .....	11
5.2	SPI characteristics .....	12
5.3	Switching .....	12
5.4	Logic inputs .....	13
5.5	Protection and diagnostic .....	13
5.6	Step-down switching regulator .....	14
5.7	LED driving array .....	15
<b>6</b>	<b>Reverse polarity protection</b> .....	<b>16</b>
<b>7</b>	<b>Demagnetization energy</b> .....	<b>17</b>
<b>8</b>	<b>Truth table</b> .....	<b>18</b>
<b>9</b>	<b>Pin function description</b> .....	<b>19</b>
9.1	SPI/parallel selection mode (SEL2) .....	19
9.2	Serial data in (SDI) .....	19
9.3	Serial data out (SDO) .....	19
9.4	Serial data clock (CLK) .....	20
9.5	Slave select ( $\overline{SS}$ ) .....	20
9.6	8/16-bit selection (SEL1) .....	20
9.7	Output enable (OUT_EN) .....	21
9.8	IC warning case temperature detection ( $\overline{TWARN}$ ) .....	21

---

9.9	Fault indication ( $\overline{\text{FAULT}}$ )	22
9.10	Power Good (PG)	22
9.11	Programmable watchdog counter reset (WD)	23
<b>10</b>	<b>SPI operation (SEL2 = H)</b>	<b>24</b>
10.1	8-bit SPI mode (SEL1 = L)	24
10.2	16-bit SPI mode (SEL1 = H)	24
<b>11</b>	<b>LED driving array</b>	<b>26</b>
<b>12</b>	<b>Step-down switching regulator</b>	<b>27</b>
<b>13</b>	<b>Typical circuits and conventions</b>	<b>28</b>
<b>14</b>	<b>Thermal management</b>	<b>31</b>
14.1	Thermal behavior	32
<b>15</b>	<b>Interface timing diagram</b>	<b>33</b>
<b>16</b>	<b>Switching parameter test conditions</b>	<b>33</b>
<b>17</b>	<b>Package mechanical data</b>	<b>35</b>
<b>18</b>	<b>Packaging mechanical data</b>	<b>37</b>
<b>19</b>	<b>Revision history</b>	<b>40</b>

## List of tables

Table 1.	Device summary . . . . .	1
Table 2.	Pin description . . . . .	8
Table 3.	Absolute maximum ratings . . . . .	10
Table 4.	Thermal data . . . . .	11
Table 5.	Power section . . . . .	11
Table 6.	SPI characteristics . . . . .	12
Table 7.	Switching . . . . .	12
Table 8.	Logic inputs. . . . .	13
Table 9.	Protection and diagnostic . . . . .	13
Table 10.	Step-down switching regulator . . . . .	14
Table 11.	LED driving array . . . . .	15
Table 12.	Truth table. . . . .	18
Table 13.	Pin function description. . . . .	19
Table 14.	Programmable watchdog time . . . . .	23
Table 15.	Command 8-bit frame (master to slave) . . . . .	24
Table 16.	Fault 8-bit frame (slave to master) . . . . .	24
Table 17.	Command 16-bit frame (master to slave) . . . . .	24
Table 18.	Fault 16-bit frame slave to master . . . . .	25
Table 19.	PowerSSO-36 mechanical data . . . . .	36
Table 20.	PowerSSO-36 tube shipment . . . . .	37
Table 21.	PowerSSO-36 reel dimensions. . . . .	38
Table 22.	PowerSSO-36 tape dimensions . . . . .	39
Table 23.	Document revision history . . . . .	40

## List of figures

Figure 1.	Block diagram . . . . .	7
Figure 2.	Pin connection (top view) . . . . .	8
Figure 3.	Reverse polarity protection . . . . .	16
Figure 4.	Maximum demagnetization energy vs. load current, typical values . . . . .	17
Figure 5.	SPI mode diagram . . . . .	20
Figure 6.	Output channel enable/disable behavior . . . . .	21
Figure 7.	Power Good diagnostic . . . . .	22
Figure 8.	Watchdog reset . . . . .	23
Figure 9.	LED driving array . . . . .	26
Figure 10.	Typical circuit for switching regulation $V_{DC-out} = 3.3\text{ V}$ . . . . .	28
Figure 11.	Typical circuit for switching regulation $V_{DC-out} = 5\text{ V}$ . . . . .	29
Figure 12.	SPI directional logic convention . . . . .	30
Figure 13.	PSSO36 thermal impedance vs. time . . . . .	31
Figure 14.	Thermal behavior . . . . .	32
Figure 15.	Serial timing . . . . .	33
Figure 16.	$dV/dt(ON)$ and $dV/dt(OFF)$ time diagram test conditions . . . . .	33
Figure 17.	$t_d(ON)$ and $t_d(OFF)$ time diagram test conditions . . . . .	34
Figure 18.	PowerSSO-36 package dimensions . . . . .	35
Figure 19.	PowerSSO-36 tube shipment (no suffix) . . . . .	37
Figure 20.	PowerSSO-36 reel shipment (suffix "TR") . . . . .	38
Figure 21.	PowerSSO-36 tape dimensions . . . . .	39

# 1 Description

The VNI8200XP is a monolithic 8-channel driver featuring a very low supply current, with integrated SPI interface and high efficiency 100 mA micropower step-down switching regulator peak current control loop mode. The IC, realized in STMicroelectronics™ VIPower™ technology, is intended to drive any kind of load with one side connected to ground.

Active channel current limitation combined with thermal shutdown, independent for each channel, and automatic restart, protect the device against overload.

Additional embedded functions are: loss of GND protection that automatically turns off the device outputs in case of ground disconnection, undervoltage shutdown with hysteresis, Power Good diagnostic for valid supply voltage range recognition, output enable function for immediate power outputs ON/OFF, and programmable watchdog function for microcontroller safe operation; case overtemperature protection to control the IC case temperature.

The device embeds a four-wire SPI serial peripheral with selectable 8 or 16-bit operations; through a select pin the device can also operate with a parallel interface.

Both the 8-bit and 16-bit SPI operations are compatible with daisy chain connection.

The SPI interface allows command of the output driver by enabling or disabling each channel featuring, in 16-bit format, a parity check control for communication robustness. It also allows the monitoring of the status of the IC signaling Power Good, overtemperature condition for each channel, IC pre-warning temperature detection.

Built-in thermal shutdown protects the chip from overtemperature and short-circuit. In overload condition, the channel turns OFF and ON again automatically after the IC temperature decreases below a threshold fixed by a temperature hysteresis so that junction temperature is controlled. If this condition makes case temperature reaching case temperature limit,  $T_{CSD}$ , overloaded channels are turned OFF and restart, non-simultaneously, when case and junction temperature decrease below their own reset threshold. If the case of thermal reset, the channels loaded are not switched on until the junction temperature reset event. Non-overloaded channels continue to operate normally. Case temperature above  $T_{CSD}$  is reported through the  $\overline{TWARN}$  open drain pin.

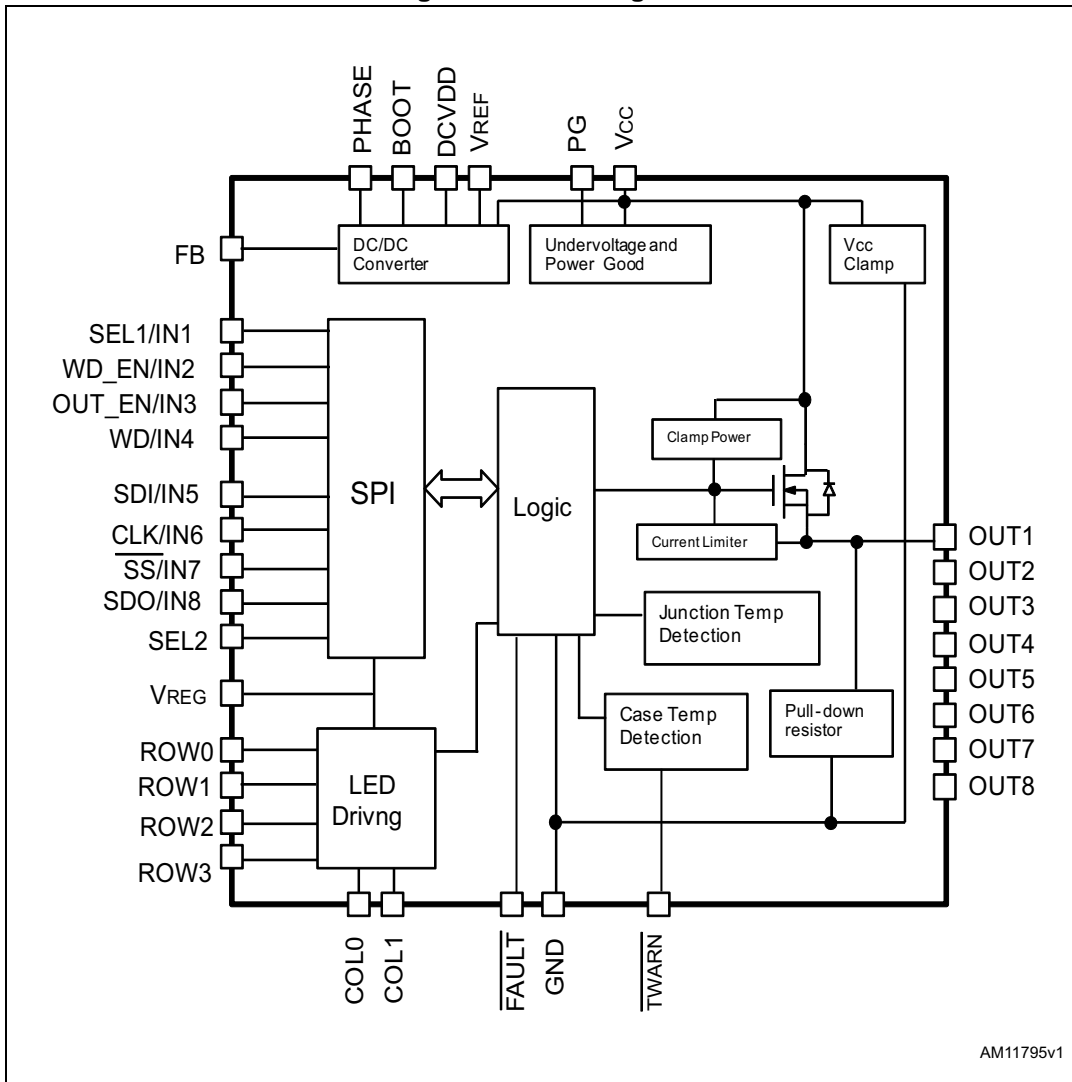
An internal circuit provides a not latched common  $\overline{FAULT}$  indicator reporting if one of the following events occurs: channel OVT (overtemperature), parity check fail. The Power Good diagnostic warns the controller that the supply voltage is below a fixed threshold.

The watchdog function is used to detect the occurrence of a software fault of the host controller. The watchdog circuitry generates an internal reset on expiry of the internal watchdog timer. The watchdog timer reset can be achieved by applying a negative pulse on the WD pin. The watchdog function can be disabled by the WD\_EN dedicated pin. This pin also allows the programming of a wide range of watchdog timings.

An internal LED matrix driver circuitry (4 rows, 2 columns) allows the detection of the status of the single outputs. An integrated step-down voltage regulator provides supply voltage to the internal LED matrix driver and logic output buffers and can be used to supply the external optocouplers if the application requires isolation. The regulator is protected against short-circuit or overload conditions by means of pulse-by-pulse current limit with a peak current control loop.

## 2 Block diagram

Figure 1. Block diagram



### 3 Pin connection

Figure 2. Pin connection (top view)

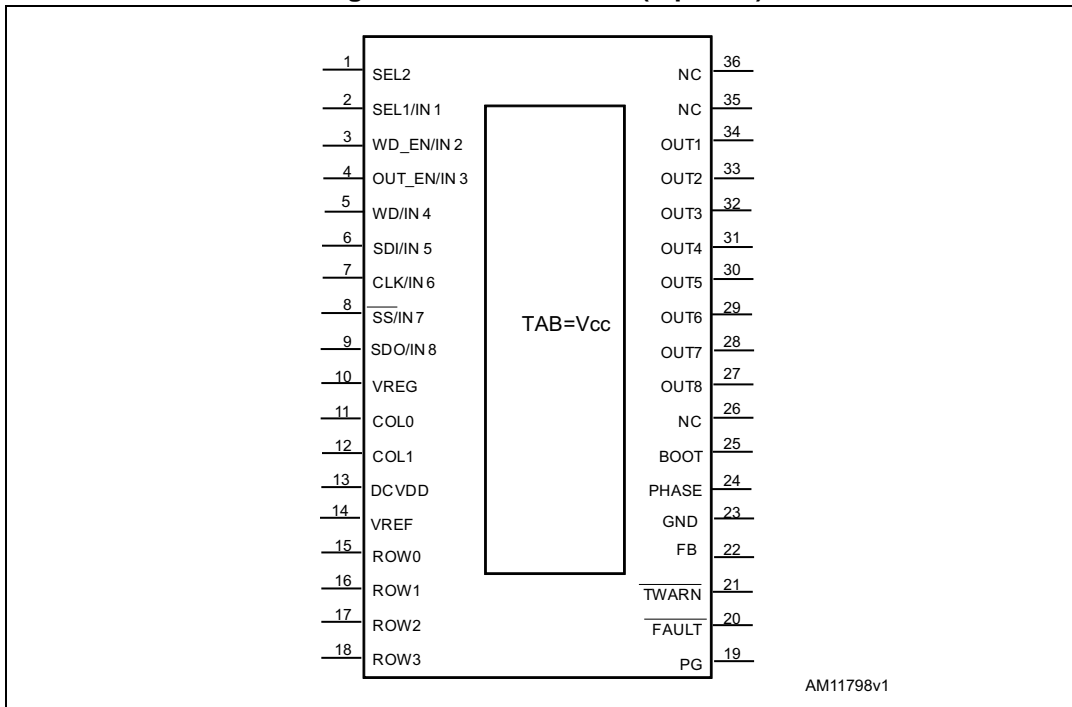


Table 2. Pin description

Pin	Name	Type	Description
1	SEL2	Logic input	SPI/parallel selection mode
2	SEL1/IN1	Logic input	8/16-bit SPI selection mode/channel 1 input
3	WD_EN/ IN2	Logic/analog input	Watchdog enable_setting/channel 2 input
4	OUT_EN /IN3	Logic input	Output enable/channel 3 input
5	WD/IN4	Logic input	Watchdog input. The internal watchdog counter is cleared on the falling edges/channel 4 input
6	SDI/IN5	Logic input	Serial data input/channel 5 input
7	CLK/IN6	Logic input	Serial clock/channel 6 input
8	SS/IN7	Logic input	Slave select/channel 7 input
9	SDO/IN8	Logic input/output	Serial data output/channel 8 input
10	VREG	Power supply	SPI/inputs/LED supply voltage
11	COL0	Open source output	LED source output
12	COL1	Open source output	LED source output
13	DCVDD	Analog output	Internally generated DC-DC low voltage supply (to be connected to external 10 nF capacitor)



Table 2. Pin description (continued)

Pin	Name	Type	Description
14	VREF	Analog output	Internally generated DC-DC voltage reference (To be connected to external 10 nF capacitor)
15	ROW0	Open drain output	Status channel 1-2
16	ROW1	Open drain output	Status channel 3-4
17	ROW2	Open drain output	Status channel 5-6
18	ROW3	Open drain output	Status channel 7-8
19	PG	Open drain output	Power Good diagnostic - active low
20	$\overline{\text{FAULT}}$	Open drain output	Fault indication - active low
21	$\overline{\text{TWARN}}$	Open drain output	IC case warning temperature detection - active low
22	FB	Analog input	Step-down feedback input. Connecting the output voltage directly to this pin results in an output voltage of 3.3 V. An external resistor divider is required for higher output voltages
23	GND		Ground
24	PHASE	Power output	Step-down output
25	BOOT	Power output	Step-down bootstrap voltage. Used to provide a drive voltage, higher than the supply voltage, to power the switch of the step-down regulator
26	NC		Not connected
27	OUT8	Power output	Channel 8 power output
28	OUT7	Power output	Channel 7 power output
29	OUT6	Power output	Channel 6 power output
30	OUT5	Power output	Channel 5 power output
31	OUT4	Power output	Channel 4 power output
32	OUT3	Power output	Channel 3 power output
33	OUT2	Power output	Channel 2 power output
34	OUT1	Power output	Channel 1 power output
35	NC		Not connected
36	NC		Not connected
TAB	TAB	Power supply	Exposed tab internally connected to $V_{CC}$

## 4 Maximum ratings

**Table 3. Absolute maximum ratings**

Symbol	Parameter	Value	Unit
$V_{CC}$	Power supply voltage	45	V
$-V_{CC}$	Reverse supply voltage	-0.3	V
$V_{REG}$	Logic supply voltage	-0.3 to +6	V
$V_{FAULT}$ $V_{TWARN}$ $V_{PG}$	Voltage range at pins $\overline{TWARN}$ , $\overline{FAULT}$ , PG	-0.3 to +6	V
$V_{BOOT}$	Bootstrap peak voltage $V_{PHASE} = V_{CC}$	$V_{CC}+6$	V
$V_{ROW}$	Voltage range at ROW pins	-0.3 to +6	V
$V_{COL}$	Voltage range at COL pins	-0.3 to +6	V
$V_{dig}$	Voltage level range at logic input pins	-0.3 to +6	V
$I_{OUT}$	Output current (continuous)	Internally limited <sup>(1)</sup>	A
$I_R$	Reverse output current (per channel)	-5	A
$I_{GND}$	DC ground reverse current	-250	mA
$I_{REG}$	$V_{REG}$ input current	-1/10	mA
$I_{FAULT}$ $I_{TWARN}$ $I_{PG}$	Current range at pins $\overline{TWARN}$ , $\overline{FAULT}$ , PG	-1 to +10	mA
$I_{IN}$	Input current range	-1 to +10	mA
$I_{ROW}$	Current range at ROW pins (ROW in ON state)	+20	mA
	Current range at ROW pins (ROW in OFF state)	-1 to +10	mA
$I_{COL}$	Current range at COL pins (COL in ON state)	-10	mA
	Current range at COL pins (COL in OFF state)	-1 to +10	mA
$V_{ESD}$	Electrostatic discharge (R = 1.5 k $\Omega$ ; C = 100 pF)	2000	V
$E_{AS}$	Single pulse avalanche energy per channel not simultaneously @ $T_{amb} = 125$ degree, $I_{OUT} = 0.5$ A	3	J
$P_{TOT}$	Power dissipation at $T_c = 25$ °C	Internally limited <sup>(1)</sup>	W
$T_J$	Junction operating temperature	Internally limited	°C
$T_{STG}$	Storage temperature	-55 to 150	°C

1. Protection functions are intended to avoid IC damage in fault conditions and are not intended for continuous operation. Continuous and repetitive operation of protection functions may reduce the IC lifetime.

## 4.1 Thermal data

Table 4. Thermal data

Symbol	Parameter		Value	Unit
$R_{th(JC)}$	Thermal resistance junction-case <sup>(1)</sup>	Max.	2	°C/W
$R_{th(JA)}$	Thermal resistance junction-ambient <sup>(2)</sup>	Max.	15	°C/W

1. Per channel.
2. PSSO36 mounted on the board STEVALIFP022V1 developed on four layer FR4, with about 8 cm<sup>2</sup> for each layer.

## 5 Electrical characteristics

### 5.1 Power section

10.5 V < V<sub>CC</sub> < 36 V; -40 °C < T<sub>J</sub> < 125 °C; unless otherwise specified.

Table 5. Power section

Symbol	Parameter	Test conditions	Min.	Typ.	Max.	Unit
V <sub>CC</sub>	Supply voltage		10.5		36	V
V <sub>CC</sub> Clamp	Clamp on V <sub>CC</sub>	Current 20 mA	45	50	52	V
R <sub>DS(on)</sub>	On state resistance	I <sub>OUT</sub> = 0.5 A at T <sub>J</sub> = 25 °C I <sub>OUT</sub> = 0.5 A		0.11	0.2	Ω
I <sub>S</sub>	V <sub>CC</sub> supply current	All channels in OFF state, DC-DC in OFF state, V <sub>REG</sub> =5 V, SPI OFF <sup>(1)</sup>		1		mA
		All channels in ON state, DC-DC in ON state V <sub>REG</sub> =5 V, SPI ON <sup>(2)</sup>		5.6		mA
I <sub>DS</sub>	V <sub>REG</sub> supply current	DC-DC OFF V <sub>REG</sub> = 5 V SPI OFF WD_EN=0		200		μA
		DC/DC OFF V <sub>REG</sub> =5 V SPI ON WD_EN=V <sub>REG</sub>		250		μA
I <sub>LGND</sub>	Output current at GND disconnection	All pins at 0 V except V <sub>OUT</sub> = 24 V			0.5	mA
V <sub>OUT(OFF)</sub>	OFF state output voltage	V <sub>IN</sub> = 0 V, I <sub>OUT</sub> = 0 A			1	V
I <sub>OUT(OFF)</sub>	OFF state output current	V <sub>IN</sub> = V <sub>OUT</sub> = 0 V	0		2	μA
F <sub>CP</sub>	Charge pump frequency	Channel in ON state <sup>(3)</sup>		1.45		MHz

1.  $\overline{SS}$  signal high, NO communication.
2.  $\overline{SS}$  signal low, communication ON.
3. To cover EN55022 class A and class B normatives.

## 5.2 SPI characteristics

10.5 V < V<sub>CC</sub> < 36 V; 2.7 V < V<sub>REG</sub> < 5 V; -40 < T<sub>J</sub> < 125 °C; unless otherwise specified.

**Table 6. SPI characteristics**

Symbol	Parameter	Test conditions	Min.	Typ.	Max.	Unit
f <sub>CLK</sub>	SPI clock frequency			-	5	MHz
t <sub>r</sub> (CLK), t <sub>f</sub> (CLK)	SPI clock rise/fall time			-	20	ns
t <sub>su</sub> ( $\overline{SS}$ )	$\overline{SS}$ setup time		120	-		ns
t <sub>h</sub> ( $\overline{SS}$ )	$\overline{SS}$ hold time		120	-		ns
t <sub>w</sub> (CLK)	CLK high time		80	-		ns
t <sub>su</sub> (SDI)	Data input setup time		100	-		ns
t <sub>h</sub> (SDI)	Data input hold time		100	-		ns
t <sub>a</sub> (SDO)	Data output access time			-	100	ns
t <sub>dis</sub> (SDO)	Data output disable time			-	200	ns
t <sub>v</sub> (SDO)	Data output valid time			-	100	ns
t <sub>h</sub> (SDO)	Data output hold time		0	-		ns
V <sub>SDO</sub>	Voltage on serial data output	I <sub>SDO</sub> = 15 mA	V <sub>REG</sub> -0.8	-		V
		I <sub>SDO</sub> = -4 mA		-	0.8	V

## 5.3 Switching

V<sub>CC</sub> = 24 V; -40 °C < T<sub>J</sub> < 125 °C.

**Table 7. Switching**

Symbol	Parameter	Test conditions	Min.	Typ.	Max.	Unit
t <sub>d(ON)</sub>	Turn-ON delay time	I <sub>OUT</sub> = 0.5 A, resistive load, input rise time < 0.1 μs	-	5	-	μs
t <sub>r</sub>	Rise time	I <sub>OUT</sub> = 0.5 A, resistive load, input rise time < 0.1 μs	-	5	-	μs
t <sub>d(OFF)</sub>	Turn-OFF delay time	I <sub>OUT</sub> = 0.5 A, resistive load, input rise time < 0.1 μs	-	10	-	μs
t <sub>f</sub>	Fall time	I <sub>OUT</sub> = 0.5 A, resistive load, input rise time < 0.1 μs	-	5	-	μs
dV/dt <sub>(ON)</sub>	Turn-ON voltage slope	I <sub>OUT</sub> = 0.5 A, resistive load, input rise time < 0.1 μs	-	3	-	V/μs
dV/dt <sub>(off)</sub>	Turn-OFF voltage slope	I <sub>OUT</sub> = 0.5 A, resistive load, input rise time < 0.1 μs	-	4	-	V/μs

## 5.4 Logic inputs

10.5 V < V<sub>CC</sub> < 36 V; -40 °C < T<sub>J</sub> < 125 °C; unless otherwise specified.

**Table 8. Logic inputs**

Symbol	Parameter	Test conditions	Min.	Typ.	Max.	Unit
V <sub>IL</sub>	Input low level voltage				0.8	V
V <sub>IH</sub>	Input high level voltage		2.20			V
V <sub>I(HYST)</sub>	Input hysteresis voltage			0.15		V
I <sub>IN</sub>	Input current	V <sub>IN</sub> = 5 V	8			μA

## 5.5 Protection and diagnostic

10.5 V < V<sub>CC</sub> < 36 V; -40 °C < T<sub>J</sub> < 125 °C; unless otherwise specified.

**Table 9. Protection and diagnostic**

Symbol	Parameter	Test conditions	Min.	Typ.	Max.	Unit
V <sub>PGH1</sub>	Power Good diagnostic ON threshold		16.6	17.5	18.4	V
V <sub>PGH2</sub>	Power Good diagnostic OFF threshold		15.6	16.5	17.4	
V <sub>PGHYS</sub>	Power Good diagnostic hysteresis			1		
V <sub>USD</sub>	Undervoltage ON protection			9.5	10.5	V
	Undervoltage OFF protection			9		V
V <sub>USDHYS</sub>	Undervoltage hysteresis		0.4	0.5		V
V <sub>demag</sub>	Output voltage at turn-OFF	I <sub>OUT</sub> = 0.5 A; L <sub>LOAD</sub> ≥ 1 mH	V <sub>CC</sub> -52	V <sub>CC</sub> -50	V <sub>CC</sub> -45	V
V <sub>TWARN</sub>	$\overline{\text{TWARN}}$ pin low-state output voltage	I <sub>TWARN</sub> = 3 mA (active condition)			0.6	V
V <sub>FAULT</sub>	$\overline{\text{FAULT}}$ pin low-state output voltage	I <sub>FAULT</sub> = 3 mA (fault condition)			0.6	V
V <sub>PG</sub>	PG pin low-state output voltage	I <sub>PG</sub> = 3 mA (active condition) V <sub>REG</sub> =3.3 V V <sub>CC</sub> =0			0.7	V
I <sub>PEAK</sub>	Maximum DC output current before limitation			1.4		A
I <sub>LIM</sub>	Short-circuit current limitation per channel	R <sub>LOAD</sub> = 0	0.7	1.1	1.7	A

**Table 9. Protection and diagnostic (continued)**

Symbol	Parameter	Test conditions	Min.	Typ.	Max.	Unit
Hyst	I <sub>LIM</sub> tracking limits	R <sub>LOAD</sub> = 0		0.3		A
I <sub>LFAULT</sub>	FAULT leakage current	V <sub>pin</sub> = 5 V			2	μA
I <sub>TWARN</sub>	TWARN leakage current					
I <sub>PG</sub>	PG leakage current					
T <sub>TSD</sub>	Junction shutdown temperature		160	180		°C
T <sub>R</sub>	Junction reset temperature			160		°C
T <sub>HIST</sub>	Junction thermal hysteresis			20		°C
T <sub>CSD</sub>	Case shutdown temperature		115	130	155	°C
T <sub>CR</sub>	Case reset temperature			110		°C
T <sub>CHYST</sub>	Case thermal hysteresis			20		°C
t <sub>WD</sub>	Watchdog hold time	See <a href="#">Figure 8</a>	50			ns
t <sub>WM</sub>	Watchdog time	See <a href="#">Table 14</a> and <a href="#">Figure 8</a>				
t <sub>OUT_EN</sub>	OUT_EN pin propagation delay <sup>(1)</sup>	V <sub>cc</sub> = 24 V I <sub>out</sub> 72 mA		10		us
t <sub>res</sub>	OUT_EN hold time		50			ns
t <sub>WO</sub>	Watchdog timeout <sup>(2)</sup>				t <sub>WM</sub> + t <sub>d(off)</sub>	ms

1. Time from reset active low and power out disable.

2. The time from t<sub>WM</sub> elapsed to power out disable.

## 5.6 Step-down switching regulator

10.5 V < V<sub>CC</sub> < 36 V; -40 °C < T<sub>J</sub> < 125 °C; unless otherwise specified.

**Table 10. Step-down switching regulator**

Symbol	Parameter	Test conditions	Min.	Typ.	Max.	Unit
V <sub>DC_out</sub>	Regulated output voltage	I <sub>REG</sub> from 0 to 100 mA V <sub>REG</sub> 3.3 V, <a href="#">Figure 10</a>	3.1	3.3	3.5	V
		I <sub>reg</sub> from 0 to 100 mA V <sub>REG</sub> 5 V, <a href="#">Figure 11</a>		5		
V <sub>FB</sub>	Voltage feedback		3.1	3.3	3.5	V
R <sub>DS(on)</sub>	MOSFET on-resistance			1.5		Ω
I <sub>lim</sub>	Limitation current		0.55		0.9	A

Table 10. Step-down switching regulator (continued)

Symbol	Parameter	Test conditions	Min.	Typ.	Max.	Unit
$I_{qop}$	Total operating quiescent current			0.6		mA
$I_{qst-by}$	Total standby quiescent current	Regulator standby		15.8		$\mu$ A
$f_s$	Switching frequency			400		kHz
$D_{max}$	Maximum duty cycle			80%		%
$T_{on_{min}}$	Minimum on-time			150		ns
$f_{sc}$	Frequency in short-circuit condition			50		kHz

## 5.7 LED driving array

$10.5\text{ V} < V_{CC} < 36\text{ V}$ ;  $-40\text{ }^\circ\text{C} < T_J < 125\text{ }^\circ\text{C}$ ; unless otherwise specified.

Table 11. LED driving array

Symbol	Parameter	Test conditions	Min.	Typ.	Max.	Unit
$V_{COL}$	Output source voltage at COL pins	Output current 0 to 7 mA	$V_{REG}-0.3$	$V_{REG}-0.2$		V
$V_{ROW}$	Open drain voltage at ROW pins	Output current 0 to 15 mA		0.2	0.3	V
$F_{sw}$	Row refresh frequency with duty=25%			780		Hz

## 6 Reverse polarity protection

Reverse polarity protection can be implemented on board using two different solutions:

1. Placing a resistor ( $R_{GND}$ ) between IC GND pin and load GND
2. Placing a diode between IC GND pin and load GND

If option 1 is selected, the minimum resistance value has to be selected according to the following equation:

### Equation 1

$$R_{GND} \geq V_{CC} / I_{GND}$$

where  $I_{GND}$  is the DC reverse ground pin current and can be found in [Section 4: Maximum ratings](#) of this datasheet.

Power dissipated by  $R_{GND}$  (when  $V_{CC} < 0$ : during reverse polarity situations) is:

### Equation 2

$$P_D = (V_{CC})^2 / R_{GND}$$

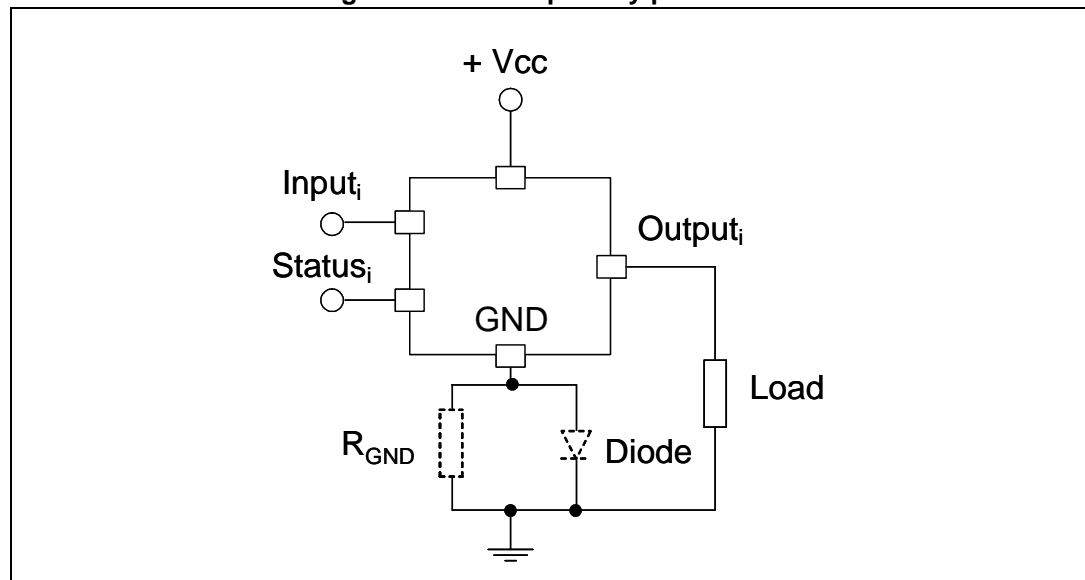
If option 2 is selected, the diode has to be chosen by taking into account  $V_{RRM} > |V_{CC}|$  and its power dissipation capability:

### Equation 3

$$P_D \geq I_S * V_F$$

*Note:* In normal conditions (no reverse polarity), due to the diode, there is a voltage drop between GND of the device and GND of the system.

**Figure 3. Reverse polarity protection**

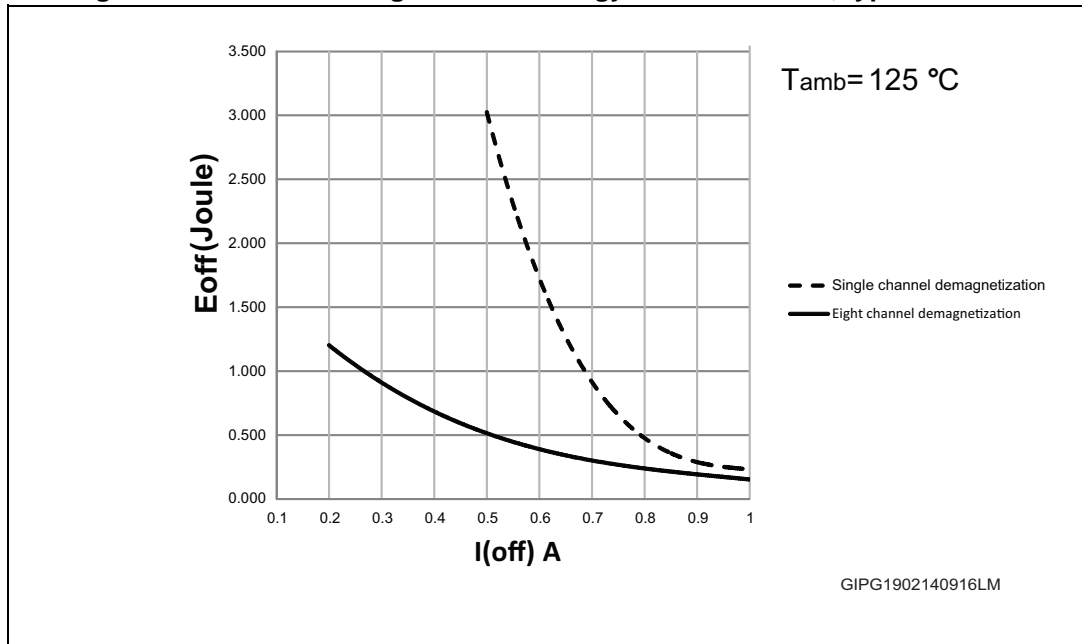


This schematic can be used with any type of load.



# 7 Demagnetization energy

Figure 4. Maximum demagnetization energy vs. load current, typical values



## 8 Truth table

Table 12. Truth table

Condition	Input	Output	SPI Status bit	Fault	Twarn	Power Good
Normal operation	High	On	Reset	High	High	High
	Low	Off	Reset	High	High	High
Junction overtemperature	High	Off	Set	Low	X	X
	Low	Off	Set <sup>(1)</sup>	High	X	X
Case overtemperature	High	Off	Set <sup>(1)</sup>	X	Low	X
	Low	Off	Set <sup>(1)</sup>	X	Low <sup>(1)</sup>	X
Undervoltage	High	Off	Reset	X	X	X
	Low	Off	Reset	X	X	X
Power Good	High	On	Set <sup>(2)</sup>	High	High	Low
	Low	Off	Set <sup>(2)</sup>	High	High	Low

1. This signal becomes high after the temperature falls below the reset threshold.
2. If fault expires, the reset condition occurs after SPI communication, otherwise it is set again.

## 9 Pin function description

### 9.1 SPI/parallel selection mode (SEL2)

This pin allows the selection of the IC interfacing mode. The SPI interface is selected if SEL2 = H, while the parallel interface is selected if SEL2 = L, according to [Table 13](#):

**Table 13. Pin function description**

Pin	Function			
	SEL2 <sup>(1)</sup> = H SPI operation		SEL2 = L Parallel operation	
SDO/IN8	SDO	Serial data output	IN8	Input to channel 8
$\overline{SS}$ /IN7	$\overline{SS}$	Slave select	IN7	Input to channel 7
CLK/IN6	CLK	Serial clock	IN6	Input to channel 6
SDI/IN5	SDI	Serial data input	IN5	Input to channel 5
WD/IN4	WD	Watchdog input	IN4	Input to channel 4
OUT_EN/IN3	OUT_EN	IC OUTPUT enable / disable	IN3	Input to channel 3
WD_EN/IN2	WD_EN	Watchdog enable / disable and timing preset	IN2	Input to channel 2
SEL1/IN1	SEL1	8/16-bit SPI selection mode	IN1	Input to channel 1

1. SEL2 has an internal weak pull-down.

### 9.2 Serial data in (SDI)

If SEL2 = H, this pin is the input of the serial control frame. SDI is read on CLK rising edges and, therefore, the microcontroller must change SDI state during the CLK falling edges. After the  $\overline{SS}$  falling edge, the SDI is equal to the most significant bit of the control frame ([Figure 5](#)).

### 9.3 Serial data out (SDO)

If SEL2 = H, this pin is the output of the serial fault frame. SDO is updated on CLK falling edges and, therefore, the microcontroller must read SDO state during the CLK rising edges.

The SDO pin is tri-stated when  $\overline{SS}$  signal is high and it is equal to the most significant bit of the fault frame after the  $\overline{SS}$  falling edge ([Figure 5](#)).

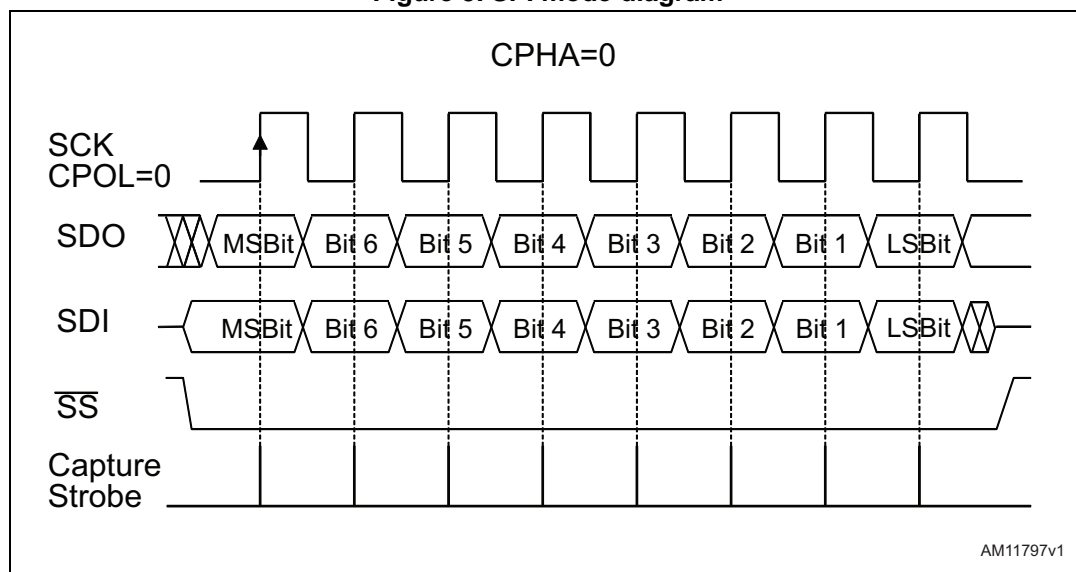
### 9.4 Serial data clock (CLK)

If SEL2 = H, the CLK line is the input clock for serial data sampling. On CLK rising edge the SDI input is sampled by the IC and the SDO output is sampled by the host microcontroller. On CLK falling edge, both SDI and SDO lines are updated to the next bit of the frame, from the most to the less significant one (see Figure 5). When the SS signal is high, slave not selected, the microcontroller should drive the CLK low (the settings for the MCU SPI port are CPHA = 0 and CPOL = 0).

### 9.5 Slave select ( $\overline{SS}$ )

If SEL2 = H, the slave select ( $\overline{SS}$ ) signal is used to enable the VNI8200XP serial communication shift register; data is flushed-in through the SDI pin and flushed-out from the SDO pin only when the  $\overline{SS}$  pin is low. On the  $\overline{SS}$  pin falling edge the shift register (containing the fault conditions) is frozen, so any change on the power switches status is latched until the next  $\overline{SS}$  falling edge event and the SDO output is enabled. On the  $\overline{SS}$  pin rising edge event the 8/16 bits present on the SPI shift register are evaluated and the outputs are driven according to this frame. If more than 8/16 bits (depending on the SPI settings) are flushed inside only the last 8/16 are evaluated; the others are flushed out from the SDO pin after fault condition bits; in this way a proper communication is possible also in a daisy chain configuration.

Figure 5. SPI mode diagram



### 9.6 8/16-bit selection (SEL1)

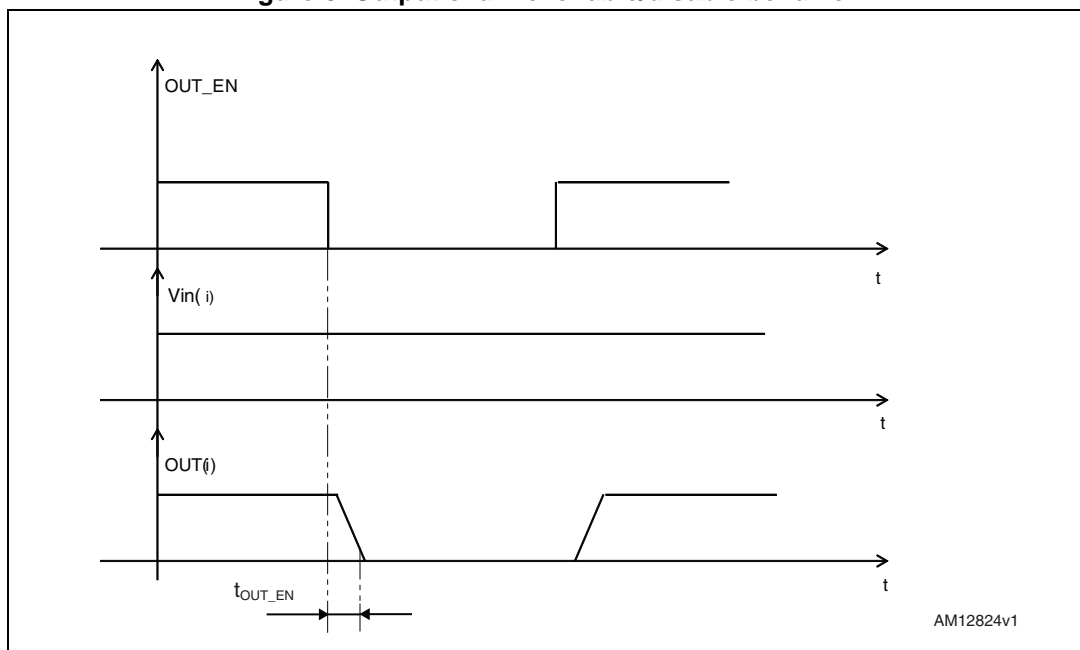
If SEL2 = H, SEL1 is used to select between two possible SPI configurations: the 8-bit SPI mode (SEL1 = L) and the 16-bit SPI mode (SEL1 = H). 8/16-bit SPI operation is described below.

## 9.7 Output enable (OUT\_EN)

If SEL2 = H, the OUT\_EN pin provides a fast way to disable all the outputs simultaneously. When the OUT\_EN pin is driven low for at least  $T_{RES}$ , the outputs are disabled while fault conditions in the SPI register are latched. To enable the outputs it is then necessary to raise the OUT\_EN pin and re-program the IC through the SPI interface. As fault conditions are latched inside the IC and SPI interface is working also while the OUT\_EN pin is driven low, it's possible to use SPI to detect if a fault condition occurred before than the reset event.

The device is ready to operate normally after a  $T_{SU}$  period. The OUT\_EN pin is the fastest way to disable all the outputs when a fault occurs.

Figure 6. Output channel enable/disable behavior



AM12824v1

## 9.8 IC warning case temperature detection ( $\overline{\text{TWARN}}$ )

The  $\overline{\text{TWARN}}$  pin is an active low open drain output. This pin is activated if the IC case temperature exceeds  $T_{CSD}$ . According to the PCB thermal design and  $R_{thJC}$  value, this function allows a warning about a PCB overheating condition to be given.

The  $\overline{\text{TWARN}}$  bit is also available through SPI. This bit is not latched: the  $\overline{\text{TWARN}}$  pin is low only while the case overtemperature condition is active ( $T_C > T_{CSD}$ ) and is released when this condition is removed ( $T_C < T_{CR}$ ).

### 9.9 Fault indication ( $\overline{\text{FAULT}}$ )

The  $\overline{\text{FAULT}}$  pin is an open drain active low fault indication pin. This pin is activated by one or more of the following conditions:

- Channel overtemperature (OVT)
 

This pin is activated when at least one of the channels is in junction overtemperature. Unlike the SPI fault detection bits, this signal is not latched: the  $\overline{\text{FAULT}}$  pin is low only when the fault condition is active and is released if the input driving signal is off or after the OVT protection condition has been removed. This last event occurs if the channel temperature decreases below the threshold level and the case temperature has not exceeded TCSD or is below TCR. This means that the  $\overline{\text{FAULT}}$  pin is low only while the junction overtemperature is active ( $T_J > T_{TSD}$ ) and is released after this condition has been removed ( $T_J < T_R$  and  $T_C < T_{CR}$ ).
- Parity check fail
 

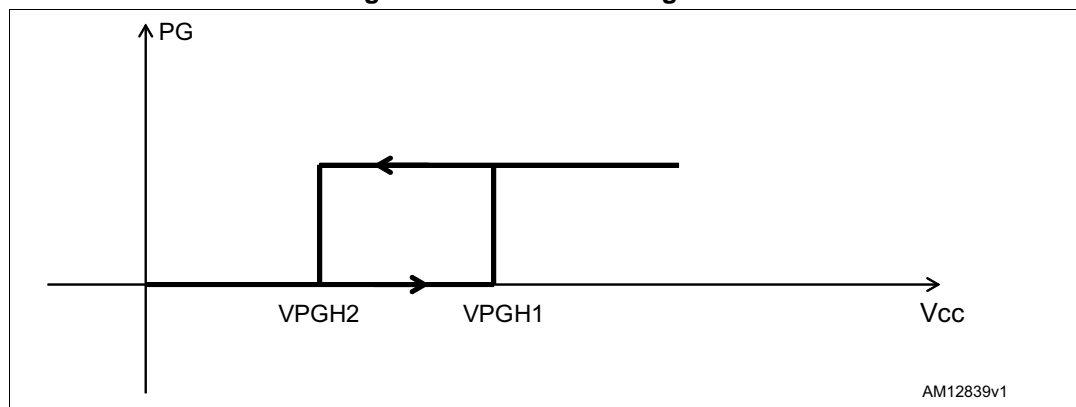
When SPI mode is used ( $\text{SEL2} = \text{H}$ ), if a parity check fault of the incoming SPI frame is detected or counted, CLK rising edges are different by a multiple of 8, the  $\overline{\text{FAULT}}$  pin is kept low. When counted CLK rising edges are a multiple of 8 and parity check is valid, the  $\overline{\text{FAULT}}$  pin is kept high.

### 9.10 Power Good (PG)

The PG terminal is an open drain, that indicates the status of the supply voltage. When  $V_{CC}$  supply voltage reaches the  $V_{sth1}$  threshold, PG goes into a high impedance state. It goes into a low impedance state when  $V_{CC}$  falls below the  $V_{sth2}$  threshold.

In 16-bit SPI mode, a PG bit is also available. This bit is set high when the Power Good diagnostic is active, it is otherwise cleared.

Figure 7. Power Good diagnostic



### 9.11 Programmable watchdog counter reset (WD)

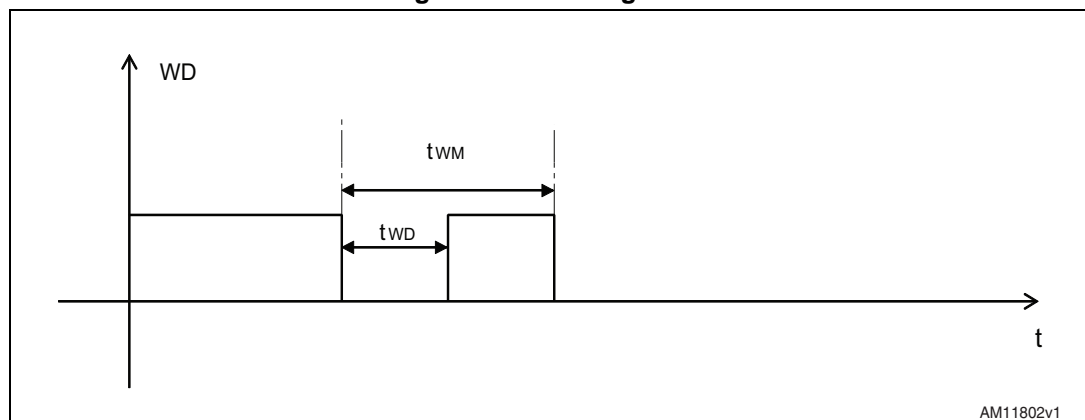
If SEL2 = H, the VNI8200XP embeds a watchdog counter that must be erased, with a negative pulse on the WD pin, before it expires. If the WD counter elapses, the VNI8200XP goes into an internal RESET state where all the outputs are disabled; to restart normal operation a negative pulse must be applied to the WD pin.

The watchdog enable/disable pin should be connected through an external divider to  $V_{REG}$ . The watchdog time is fixed in the following [Table 14](#):

**Table 14. Programmable watchdog time**

$V_{WD\_EN}$	$t_{WM}$
$0.25 V_{REG} > V_{WD\_EN}$	Disable
$0.25 V_{REG} \leq V_{WD\_EN} < 0.5 V_{REG}$	$40 \pm 12\%$ ms
$0.5 V_{REG} \leq V_{WD\_EN} < 0.75 V_{REG}$	$80 \pm 12\%$ ms
$0.75 V_{REG} \leq V_{WD\_EN} = V_{REG}$	$160 \pm 12\%$ ms

**Figure 8. Watchdog reset**



## 10 SPI operation (SEL2 = H)

### 10.1 8-bit SPI mode (SEL1 = L)

If SEL2 = H, the 8-bit SPI mode is based on an 8-bit command frame sent from the microcontroller to the IC; each bit directly drives the corresponding output where LSB drives output 0 and MSB drives output 7. Each bit, set to '1', activates (closes) the corresponding output.

At the same time, the IC transfers the channel fault conditions (OVT) to the microcontroller. These fault conditions are latched at the occurrence and cleared after each communication (each time the  $\overline{SS}$  signal has a positive transition). Each bit, set to '1', indicates an OVT condition for the corresponding channel.

**Table 15. Command 8-bit frame (master to slave)**

MSB							LSB
IN7	IN6	IN5	IN4	IN3	IN2	IN1	IN0

**Table 16. Fault 8-bit frame (slave to master)**

MSB							LSB
F7	F6	F5	F4	F3	F2	F1	F0

### 10.2 16-bit SPI mode (SEL1 = H)

The 16-bit SPI mode is based on a 16-bit command frame sent from the microcontroller to the IC; the first 8 bits directly drive the output channels (each bit, set to '1', activates the corresponding output), the other 8 bits contain a 4-bit parity check code where the last bit (the inversion of the previous one) is used to detect a communication error condition (providing at least a transition in each frame):

$$P0 = IN0 \oplus IN1 \oplus IN2 \oplus IN3 \oplus IN4 \oplus IN5 \oplus IN6 \oplus IN7$$

$$P1 = IN1 \oplus IN3 \oplus IN5 \oplus IN7$$

$$P2 = IN0 \oplus IN2 \oplus IN4 \oplus IN6$$

$$nP0 = NOT P0$$

**Table 17. Command 16-bit frame (master to slave)**

MSB													LSB		
IN7	IN6	IN5	IN4	IN3	IN2	IN1	IN0	-	-	-	-	P2	P1	P0	nP0

At the same time, the IC transfers to the microcontroller a 16-bit fault frame where the first 8 bits indicate a channel fault (OVT) condition (each bit, set to '1', indicates an OVT event), the following 4 bits provide general fault condition information. FB\_OK: this bit is related to the DC-DC regulation: at the DC-DC turn-on, this bit is low and becomes high after FB rises above 90% of the nominal  $V_{FB}$  voltage and a correct SPI communication occurred. If the FB



voltage falls below 80% of the nominal  $V_{FB}$  voltage, this bit is zero; TWARN (IC warning case temperature, see [Section 9.8](#)), PC (parity check fail, the bit, set to '1', indicates a PC fail or the length is not a multiple of 8) and PG (Power Good, see [Section 9.10](#)). The last 4 bits are used as parity check bits and communication error condition (see command 16 bit frame):

$$P0 = F0 \oplus F1 \oplus F2 \oplus F3 \oplus F4 \oplus F5 \oplus F6 \oplus F7$$

$$P1 = PC \oplus FB\_OK \oplus F1 \oplus F3 \oplus F5 \oplus F7$$

$$P2 = \overline{PG} \oplus TWARN \oplus F0 \oplus F2 \oplus F4 \oplus F6$$

$$nP0 = \text{NOT } P0$$

**Table 18. Fault 16-bit frame slave to master**

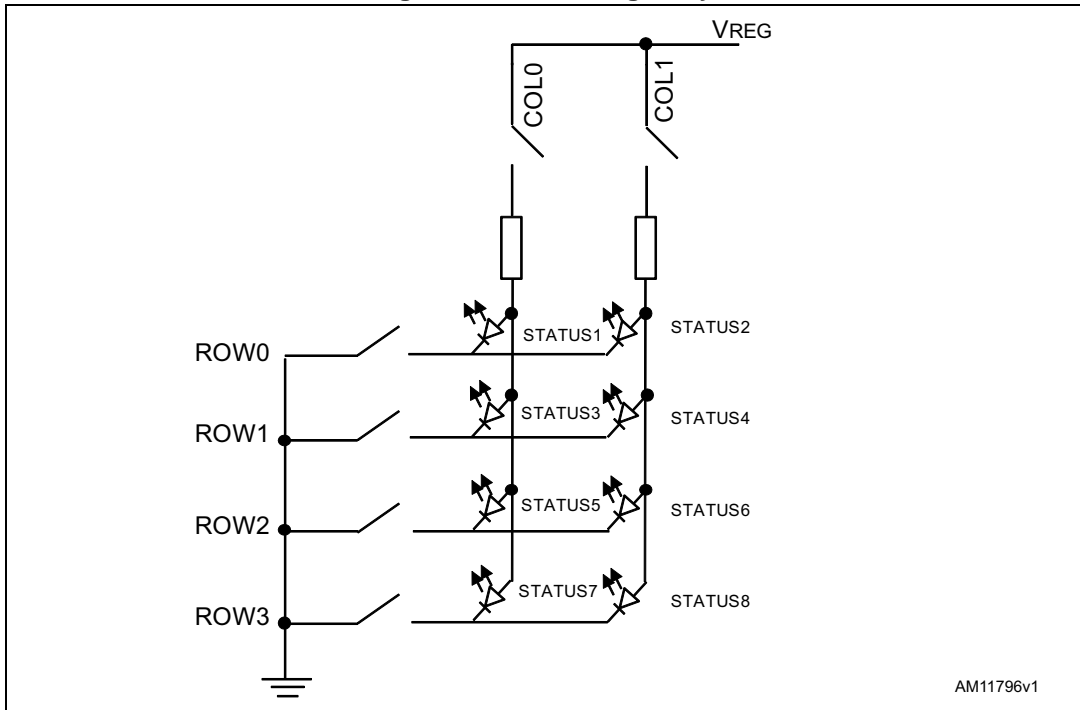
MSB															LSB
F7	F6	F5	F4	F3	F2	F1	F0	FB_OK	TWARN	PC	$\overline{PG}$	P2	P1	P0	nP0

Channel indications are latched and cleared after a communication only.

# 11 LED driving array

The LED driving array carries out the status of the output channels (ON or OFF).

Figure 9. LED driving array



The following is an indication of how to choose the  $R_{ext}$  resistor value.

**Equation 4**

$$R_{ext} = \frac{(V_{COLmin}) - (V_{ROWmax}) - V_{F(LED)}}{I_{F(LED)}}$$

Note:  $I_{F(LED)} \leq 7\text{ mA}$

where  $(V_{COL\ min.})$  and  $(V_{ROW\ max.})$  can be found in [Table 11](#) and  $V_{F(LED)}$  and  $I_{F(LED)}$  depend on the electrical characteristics of the LEDs.

## 12 Step-down switching regulator

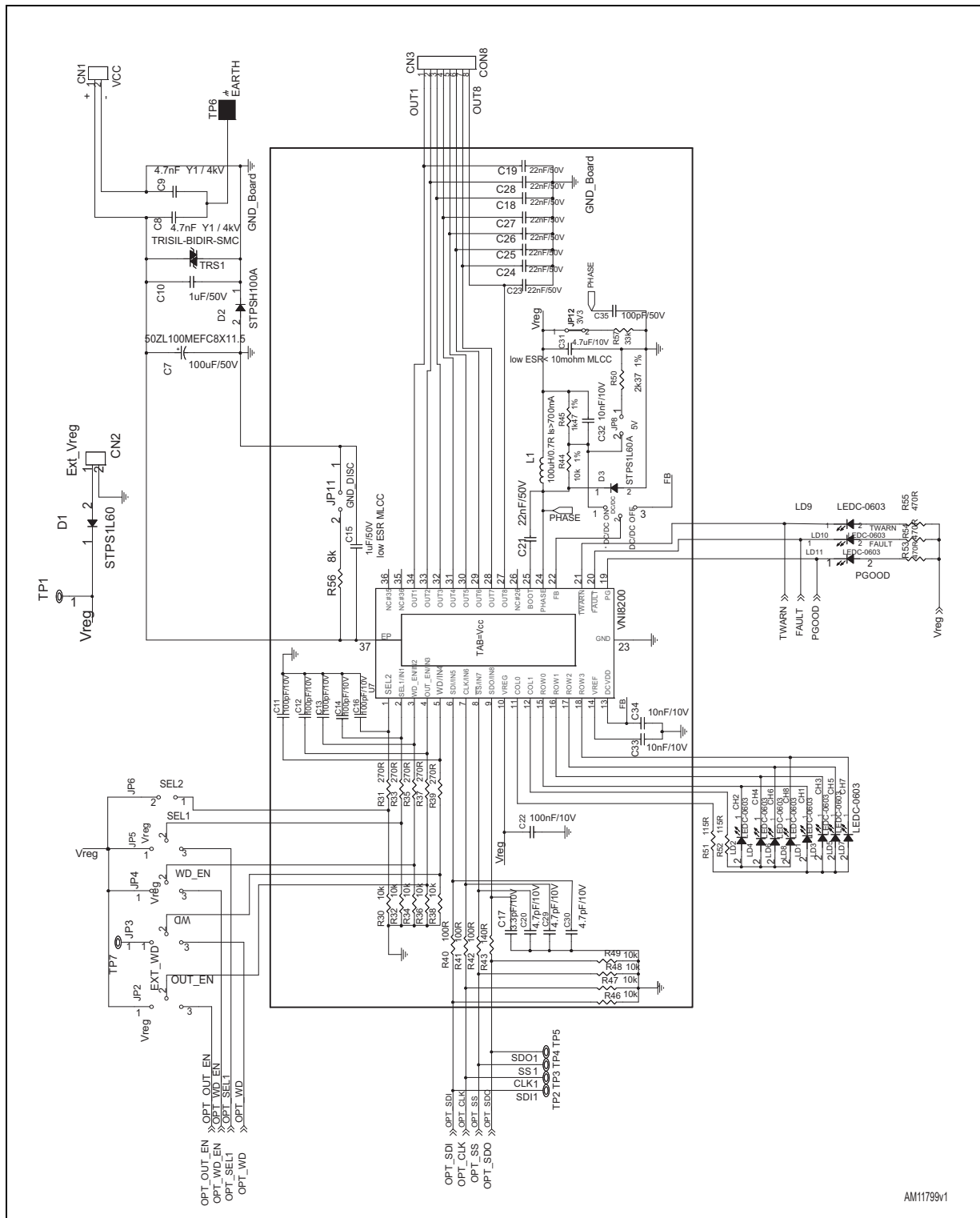
The IC embeds a high efficiency 100 mA micropower step-down switching regulator. The regulator is protected against short-circuit or overload conditions. Pulse-by-pulse current limit regulation is obtained in normal operation through a current loop control.

A low ESR output capacitor connected to the  $V_{REG}$  pin helps to limit the regulated voltage ripple; a low ESR (less than 10 m $\Omega$ ) capacitor is preferable. The control loop pin FB allows 3.3 V to be regulated, connecting it directly to  $V_{REG}$ , or 5 V connecting it through a voltage divider  $R1/Rfb1$ . The DC-DC converter can be turned off by connecting the feedback pin to the DCVDD pin. In some applications it is possible to supply a 5 V or 3.3 V voltage externally or, in the case of two or more VNI8200XPs inside the same board, it's possible to configure the DC-DC converter on only one device and supply also the other ICs.

*Note: if the DC-DC converter is adjusted to provide 3.3 V regulation and the  $V_{dc\_out}$  is used to power an external load and not the device, a 33 k $\Omega$  resistor has to be connected on  $V_{dc\_out}$  pin*

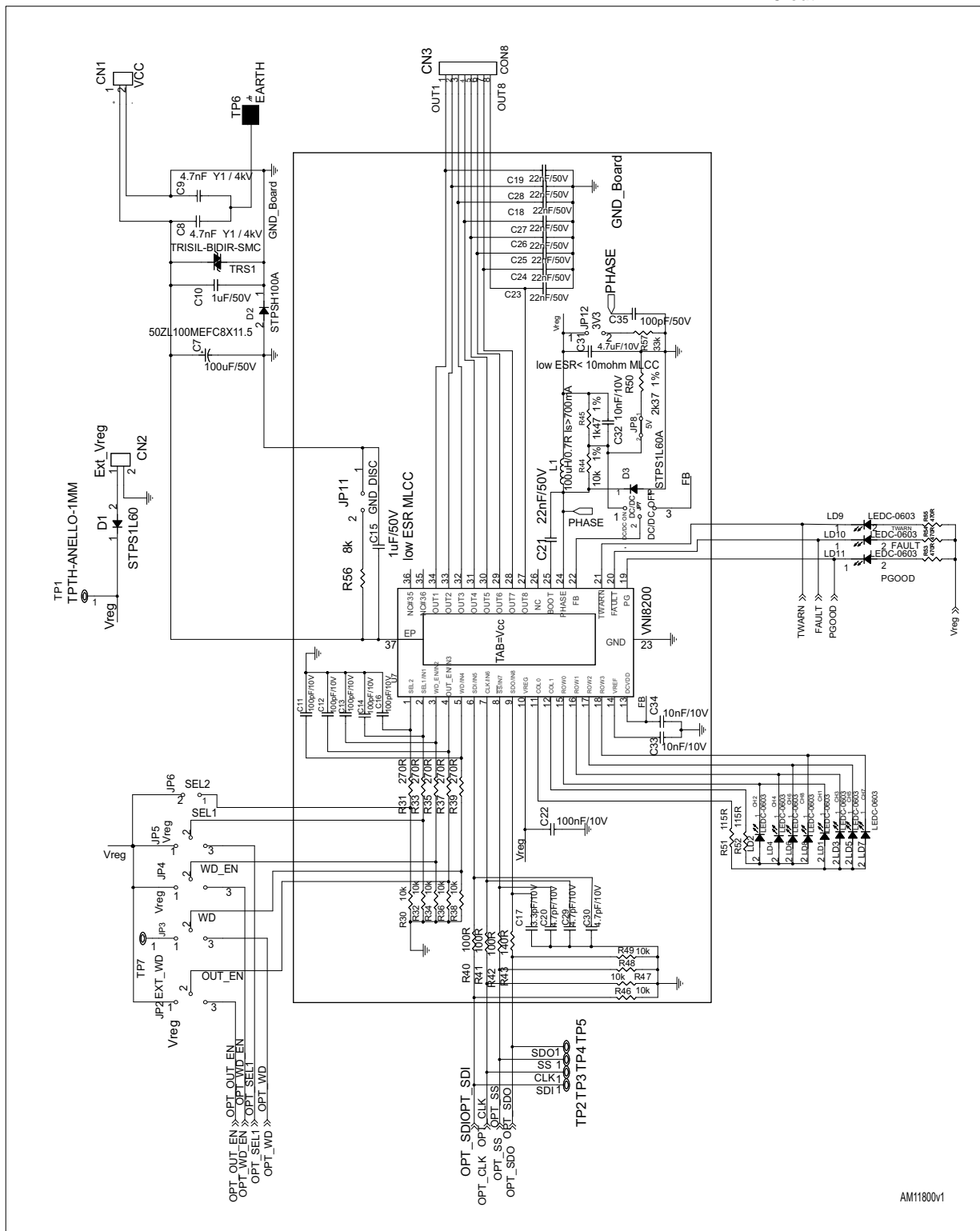
# 13 Typical circuits and conventions

Figure 10. Typical circuit for switching regulation  $V_{DC-out} = 3.3 V$



AM11799v1

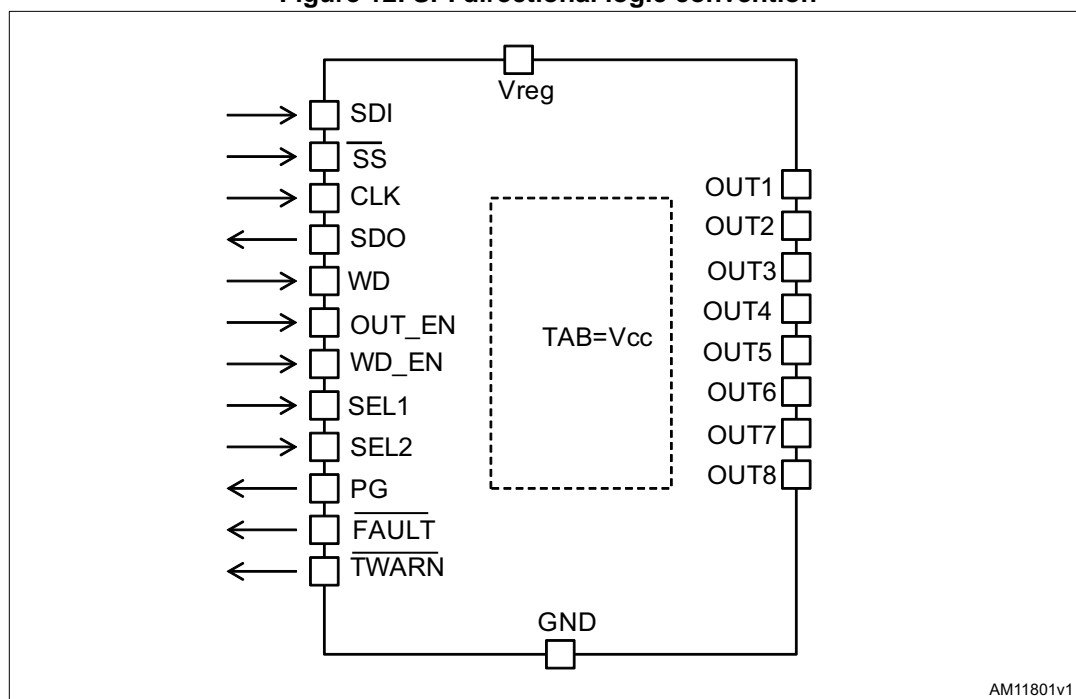
Figure 11. Typical circuit for switching regulation  $V_{DC-out} = 5 V$



AM11800v1



Figure 12. SPI directional logic convention

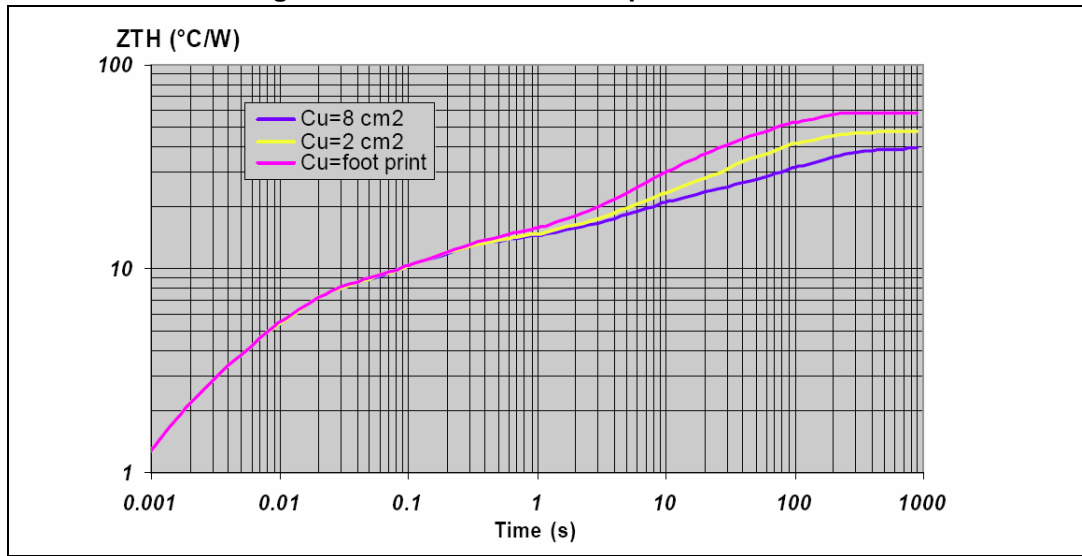


AM11801v1

## 14 Thermal management

The power dissipation in the IC is the main factor that sets the safe operating condition of the device in the application. Therefore, it must be taken into account very carefully. Heatsinking can be achieved using copper on the PCB with proper area and thickness. The following image ([Figure 13](#)) shows the junction-to-ambient thermal impedance values for the PSSO36 package.

**Figure 13. PSSO36 thermal impedance vs. time**

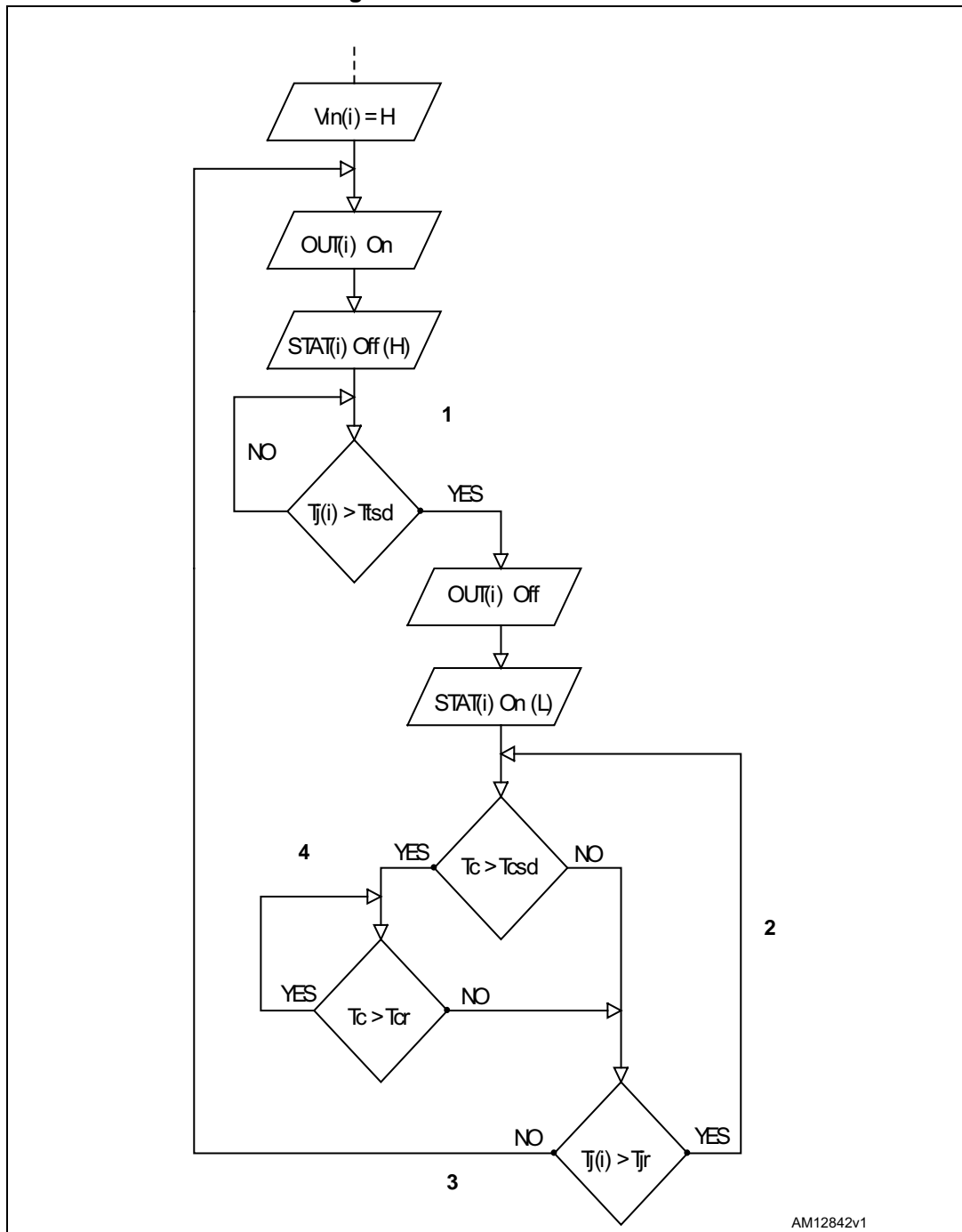


For instance, three cases have been considered using a PSSO36 packaged with copper slug soldered on a 1.6 mm thickness FR4 board with dissipating footprint (copper thickness of 70  $\mu\text{m}$ ):

- single layer PCB with just IC footprint dissipating area
- double layer PCB with footprint dissipating area on the top side and a 2  $\text{cm}^2$  dissipating layer on the bottom side through 15 via holes
- double layer PCB with footprint dissipating area on the top side and an 8  $\text{cm}^2$  dissipating layer on the bottom side through 15 via holes

### 14.1 Thermal behavior

Figure 14. Thermal behavior

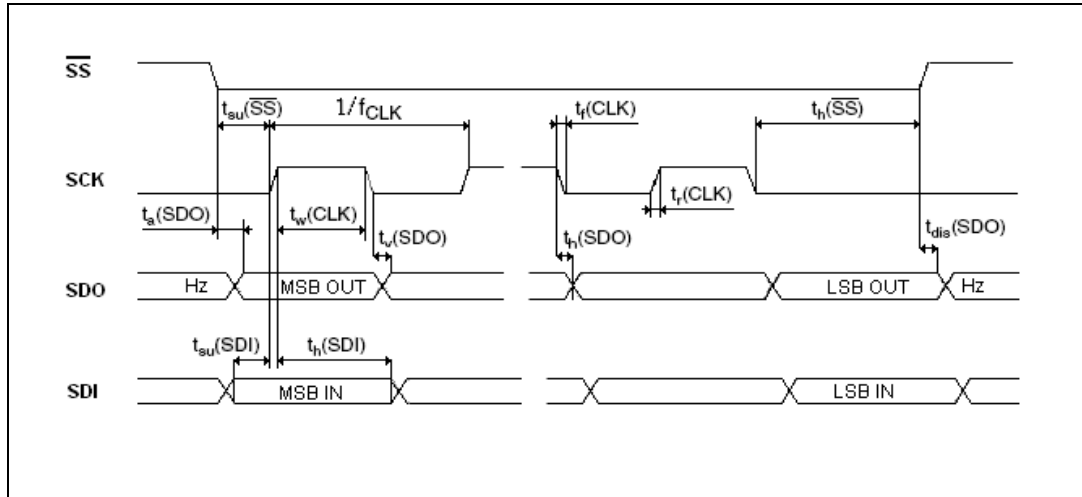


- Note:
- 1 Thermal shutdown
  - 2 Junction hysteresis
  - 3 Restore to idle condition
  - 4 Case hysteresis



# 15 Interface timing diagram

Figure 15. Serial timing



# 16 Switching parameter test conditions

Figure 16.  $dV/dt(ON)$  and  $dV/dt(OFF)$  time diagram test conditions

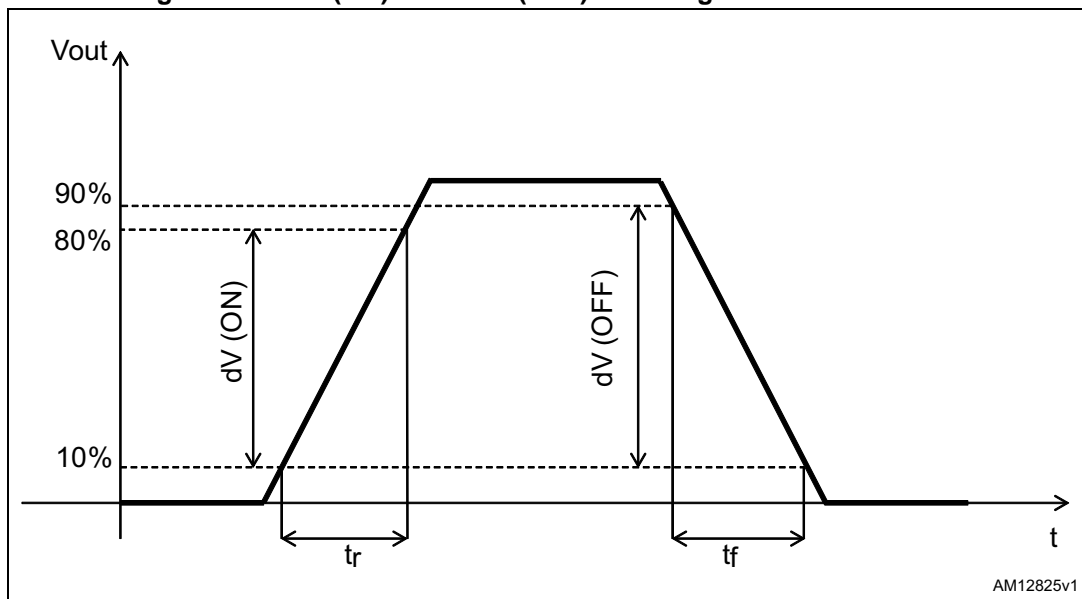
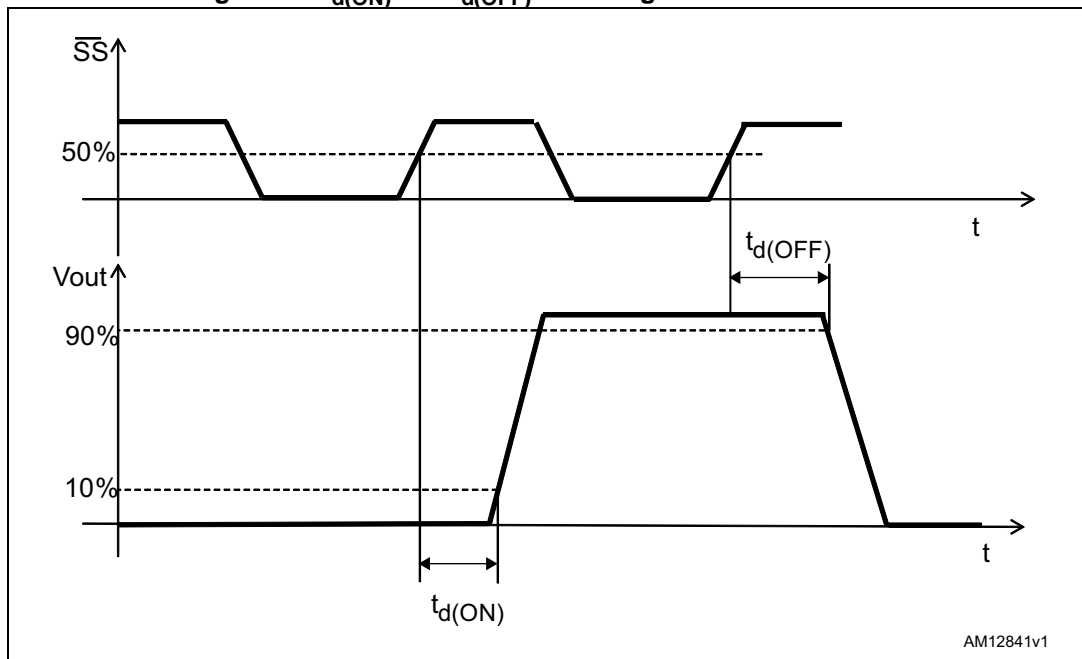


Figure 17.  $t_{d(ON)}$  and  $t_{d(OFF)}$  time diagram test conditions



# 17 Package mechanical data

In order to meet environmental requirements, ST offers these devices in different grades of ECOPACK® packages, depending on their level of environmental compliance. ECOPACK® specifications, grade definitions and product status are available at: [www.st.com](http://www.st.com). ECOPACK® is an ST trademark.

**Figure 18. PowerSSO-36 package dimensions**

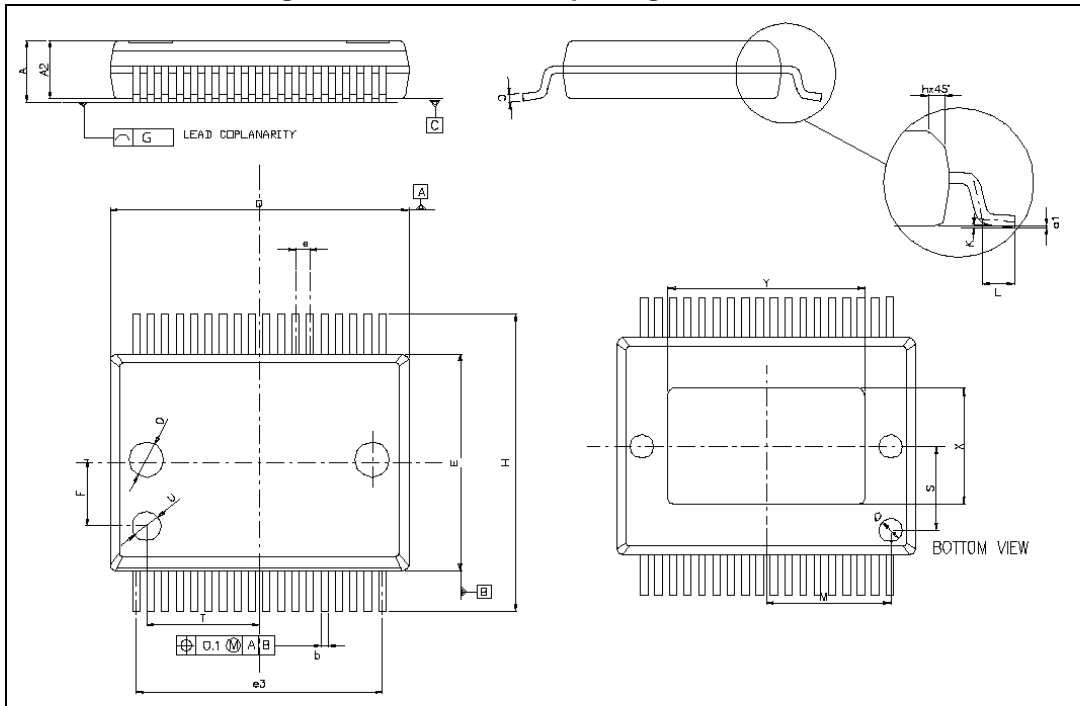


Table 19. PowerSSO-36 mechanical data

Symbol	mm		
	Min.	Typ.	Max.
A	2.15		2.47
A2	2.15		2.40
a1	0		0.075
b	0.18		0.36
c	0.23		0.32
D	10.10		10.50
E	7.4		7.6
e		0.5	
e3		8.5	
F		2.3	
G			0.075
G1			0.06
H	10.1		10.5
h			0.4
L	0.55		0.85
M		4.3	
N			10deg
O		1.2	
Q		0.8	
S		2.9	
T		3.65	
U		1.0	
X	4.1		4.7
Y	4.9		5.5

## 18 Packaging mechanical data

Figure 19. PowerSSO-36 tube shipment (no suffix)

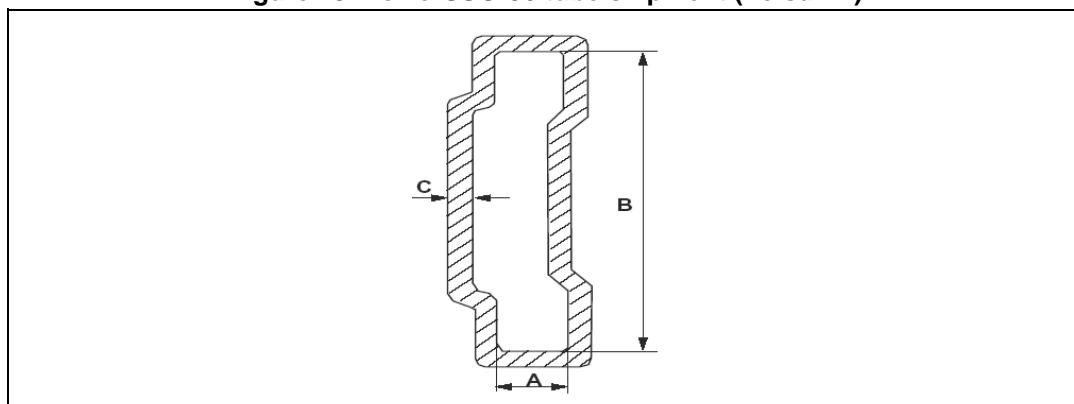


Table 20. PowerSSO-36 tube shipment

Description	Value
Base quantity	49
Bulk quantity	1225
Tube length ( $\pm 0.5$ )	532
A	3.5
B	13.8
C ( $\pm 0.1$ )	0.6

Note: All dimensions are in mm

Figure 20. PowerSSO-36 reel shipment (suffix "TR")

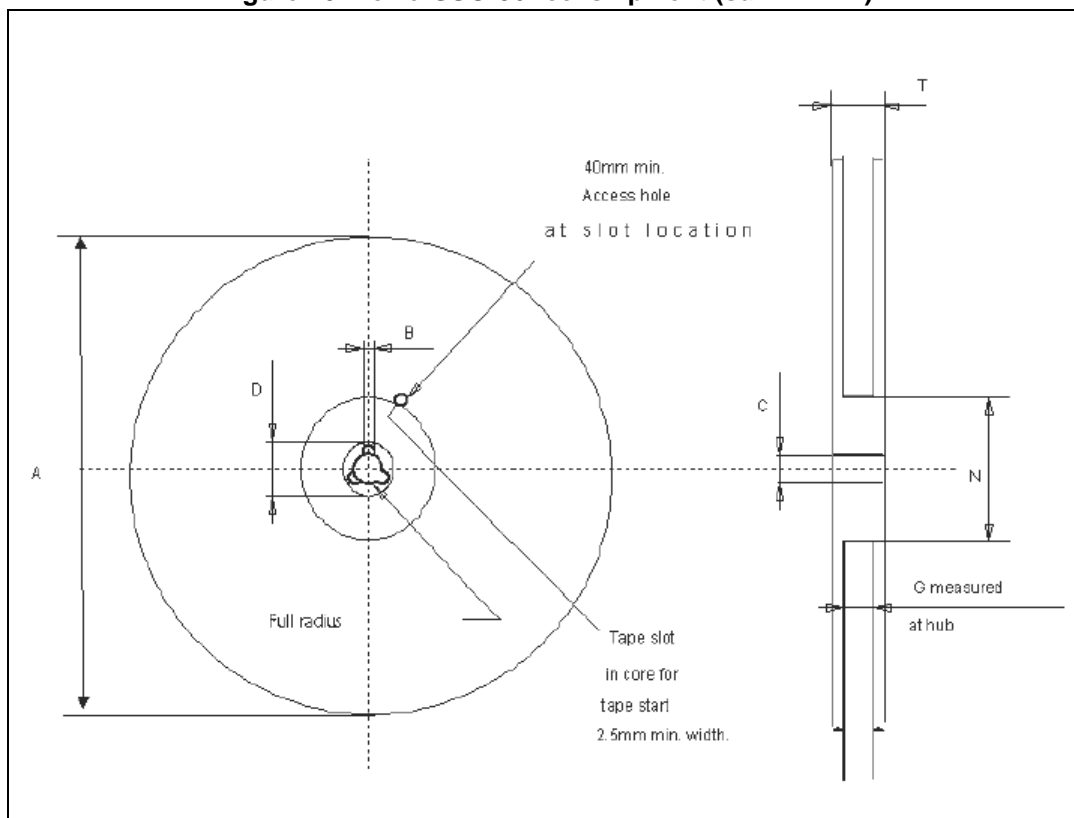


Table 21. PowerSSO-36 reel dimensions

Description	Value
Base quantity	1000
Bulk quantity	1000
A (max.)	330
B (min.)	1.5
C ( $\pm 0.2$ )	13
F	20.2
G ( $2 \pm 0$ )	24.4
N (min.)	100
T (max.)	30.4

Figure 21. PowerSSO-36 tape dimensions

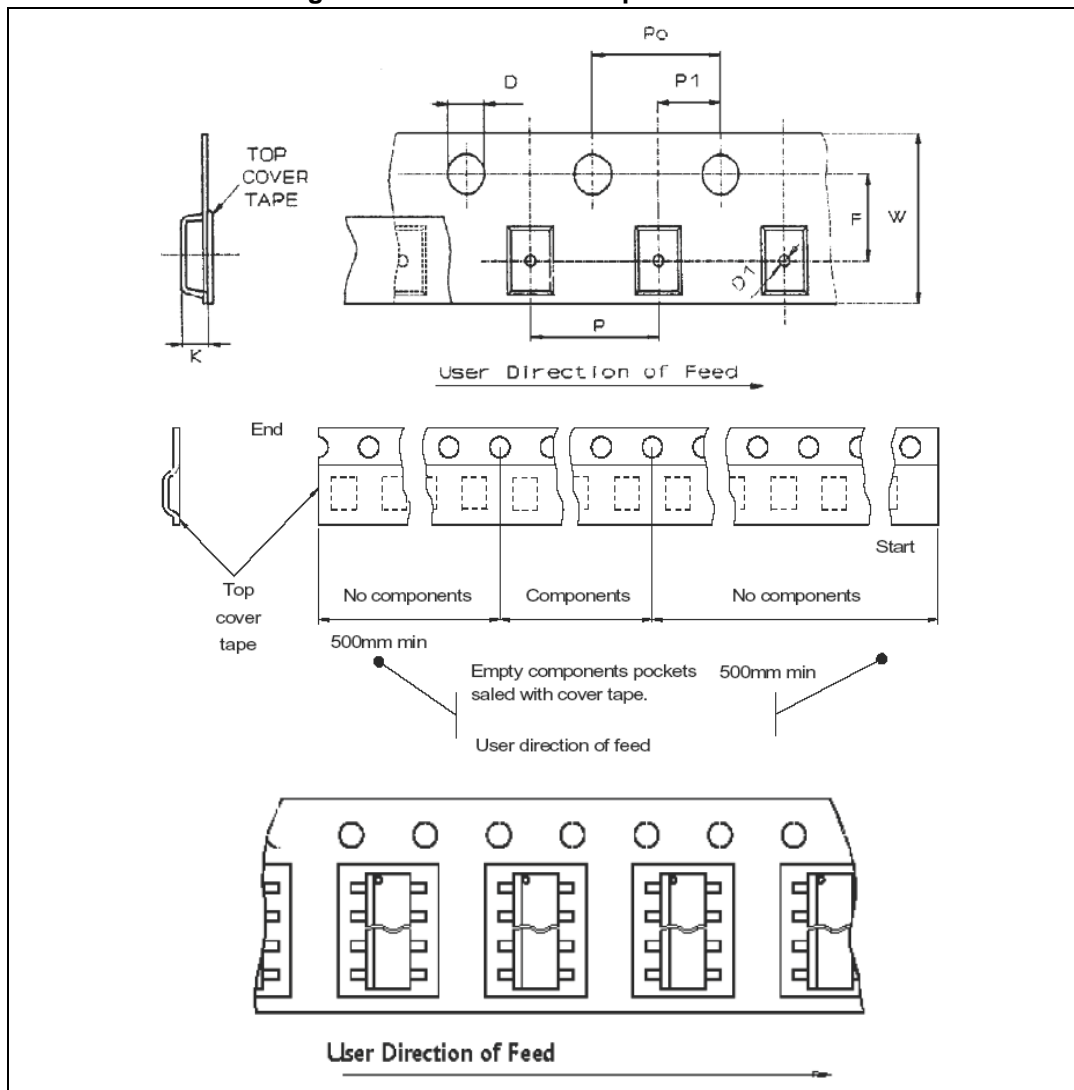


Table 22. PowerSSO-36 tape dimensions

Description	Dimensions	Value
Tape width	W	24
Tape hole spacing	P0 (± 0.1)	4
Component spacing	P	12
Hole diameter	D (± 0.05)	1.55
Hole diameter	D1 (min.)	1.5
Hole position	F (± 0.1)	11.5
Compartment depth	K (max.)	2.85
Hole spacing	P1 (± 0.1)	2

Note: According to the Electronic Industries Association (EIA) standard 481 rev. A, Feb 1986



## 19 Revision history

**Table 23. Document revision history**

Date	Revision	Changes
04-Dec-2008	1	Initial release
29-Apr-2009	2	Updated <a href="#">Table 5 on page 11</a>
19-Jun-2012	3	Updated: <a href="#">Features</a> , <a href="#">Section 9.4</a> , <a href="#">Section 9.7</a> , <a href="#">Section 9.9</a> , <a href="#">Section 9.10</a> , <a href="#">Section 12</a> , <a href="#">Table 2</a> , <a href="#">Table 3</a> , <a href="#">Table 5</a> , <a href="#">Table 7</a> , <a href="#">Table 8</a> , <a href="#">Table 9</a> , <a href="#">Table 10</a> , <a href="#">Table 11</a> , <a href="#">Table 14</a> , <a href="#">Figure 1</a> , <a href="#">Figure 2</a> . Changed: <a href="#">Figure 6</a> , <a href="#">Figure 7</a> , <a href="#">Figure 8</a> , <a href="#">Figure 17</a> , <a href="#">Figure 17</a> . Content reworked to improve the readability.
27-Jun-2012	4	Changed: Symbols in 16-bit frame <a href="#">Section 10.2</a> .
08-Mar-2013	5	Updated <a href="#">Table 5</a> , <a href="#">Table 9</a> , <a href="#">Table 10</a> , <a href="#">Table 14</a> . Updated footnote 2. in <a href="#">Table 4</a> . Updated <a href="#">Section 12</a> . Added <a href="#">Section 6</a> . Changed <a href="#">Figure 10</a> and <a href="#">Figure 11</a> . Added <a href="#">Table 12</a> . Changed product status to production data.
04-Dec-2013	6	Updated $E_{AS}$ parameter in <a href="#">Table 3: Absolute maximum ratings</a> . Updated <a href="#">Section 6: Reverse polarity protection</a> . Added <a href="#">Section 7: Demagnetization energy</a> .
20-Feb-2014	7	Changed <a href="#">Figure 4: Maximum demagnetization energy vs. load current, typical values</a> .



**Please Read Carefully:**

Information in this document is provided solely in connection with ST products. STMicroelectronics NV and its subsidiaries ("ST") reserve the right to make changes, corrections, modifications or improvements, to this document, and the products and services described herein at any time, without notice.

All ST products are sold pursuant to ST's terms and conditions of sale.

Purchasers are solely responsible for the choice, selection and use of the ST products and services described herein, and ST assumes no liability whatsoever relating to the choice, selection or use of the ST products and services described herein.

No license, express or implied, by estoppel or otherwise, to any intellectual property rights is granted under this document. If any part of this document refers to any third party products or services it shall not be deemed a license grant by ST for the use of such third party products or services, or any intellectual property contained therein or considered as a warranty covering the use in any manner whatsoever of such third party products or services or any intellectual property contained therein.

**UNLESS OTHERWISE SET FORTH IN ST'S TERMS AND CONDITIONS OF SALE ST DISCLAIMS ANY EXPRESS OR IMPLIED WARRANTY WITH RESPECT TO THE USE AND/OR SALE OF ST PRODUCTS INCLUDING WITHOUT LIMITATION IMPLIED WARRANTIES OF MERCHANTABILITY, FITNESS FOR A PARTICULAR PURPOSE (AND THEIR EQUIVALENTS UNDER THE LAWS OF ANY JURISDICTION), OR INFRINGEMENT OF ANY PATENT, COPYRIGHT OR OTHER INTELLECTUAL PROPERTY RIGHT.**

**ST PRODUCTS ARE NOT DESIGNED OR AUTHORIZED FOR USE IN: (A) SAFETY CRITICAL APPLICATIONS SUCH AS LIFE SUPPORTING, ACTIVE IMPLANTED DEVICES OR SYSTEMS WITH PRODUCT FUNCTIONAL SAFETY REQUIREMENTS; (B) AERONAUTIC APPLICATIONS; (C) AUTOMOTIVE APPLICATIONS OR ENVIRONMENTS, AND/OR (D) AEROSPACE APPLICATIONS OR ENVIRONMENTS. WHERE ST PRODUCTS ARE NOT DESIGNED FOR SUCH USE, THE PURCHASER SHALL USE PRODUCTS AT PURCHASER'S SOLE RISK, EVEN IF ST HAS BEEN INFORMED IN WRITING OF SUCH USAGE, UNLESS A PRODUCT IS EXPRESSLY DESIGNATED BY ST AS BEING INTENDED FOR "AUTOMOTIVE, AUTOMOTIVE SAFETY OR MEDICAL" INDUSTRY DOMAINS ACCORDING TO ST PRODUCT DESIGN SPECIFICATIONS. PRODUCTS FORMALLY ESCC, QML OR JAN QUALIFIED ARE DEEMED SUITABLE FOR USE IN AEROSPACE BY THE CORRESPONDING GOVERNMENTAL AGENCY.**

Resale of ST products with provisions different from the statements and/or technical features set forth in this document shall immediately void any warranty granted by ST for the ST product or service described herein and shall not create or extend in any manner whatsoever, any liability of ST.

ST and the ST logo are trademarks or registered trademarks of ST in various countries.

Information in this document supersedes and replaces all information previously supplied.

The ST logo is a registered trademark of STMicroelectronics. All other names are the property of their respective owners.

© 2014 STMicroelectronics - All rights reserved

STMicroelectronics group of companies

Australia - Belgium - Brazil - Canada - China - Czech Republic - Finland - France - Germany - Hong Kong - India - Israel - Italy - Japan - Malaysia - Malta - Morocco - Philippines - Singapore - Spain - Sweden - Switzerland - United Kingdom - United States of America

[www.st.com](http://www.st.com)

